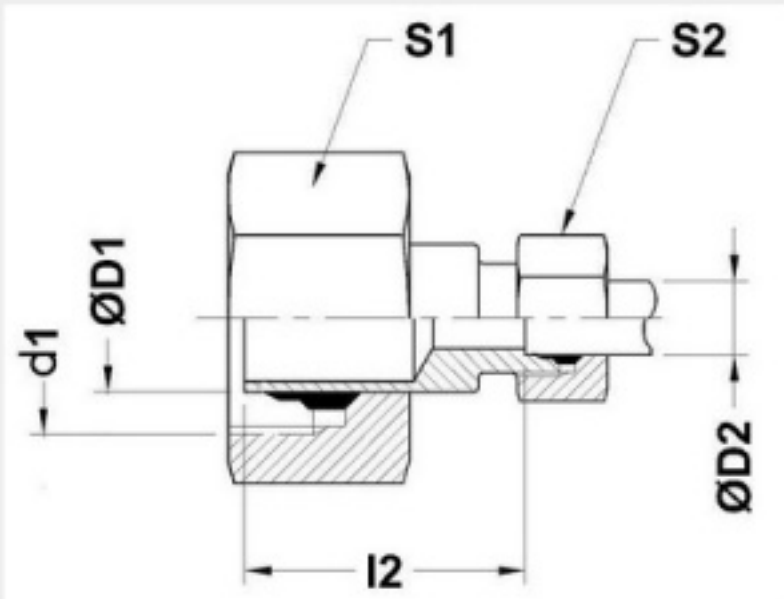


METRIC BITE TYPE FITTINGS

KOR - REDUCTION SLEEVE SERIES-L



ORIENT ENGINEERING WORKS



Part No.	PN	D1	D2	d1	l2	S1	S2
KOR 08/06 L	250	8	6	M14 X 1.5	23.5	17	14
KOR 10/06 L	250	10	6	M16 X 1.5	25	19	14
KOR 10/08 L	250	10	8	M16 X 1.5	25	19	17
KOR 12/06 L	250	12	6	M18 X 1.5	25	22	14
KOR 12/08 L	250	12	8	M18 X 1.5	25	22	17
KOR 12/10 L	250	12	10	M18 X 1.5	26	22	19
KOR 15/06 L	250	15	6	M22 X 1.5	28.5	27	14
KOR 15/08 L	250	15	8	M22 X 1.5	28.5	27	17
KOR 15/10 L	250	15	10	M22 X 1.5	29.5	27	19
KOR 15/12 L	250	15	12	M22 X 1.5	29.5	27	22
KOR 18/06 L	160	18	6	M26 X 1.5	28	32	14
KOR 18/08 L	160	18	8	M26 X 1.5	28	32	17
KOR 18/10 L	160	18	10	M26 X 1.5	29	32	19
KOR 18/12 L	160	18	12	M26 X 1.5	29	32	22
KOR 18/15 L	160	18	15	M26 X 1.5	30	32	27